

Lowpass Filter

ALPF0.512G60TMF

Revision record

Date	Version	Author	Revision description	Comment
2024/12/02	V1.0	Vivian	Created	/

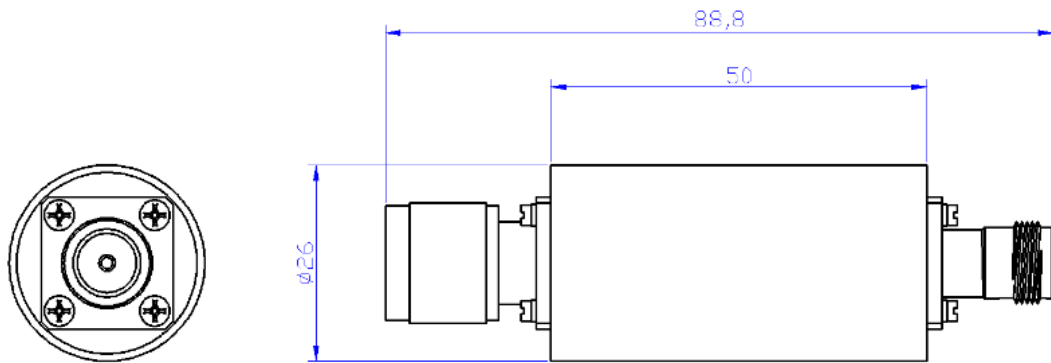
Electrical specification

Parameter	Specification
Frequency range	DC-0.512GHz
Insertion loss	≤2.0dB
VSWR	≤1.4
Rejection	≥60dBc@0.6-6.0GHz
Operational Temperature	-40°C to +70°C
Storage Temperature	-55°C to +85°C
Impedance	50Ω
Power	20W CW

Mechanical specification

Parameter	Specification
Dimension	88.8mm x φ26
Connector	TNC-Female, TNC-Male
Materials	Aluminium
Surface finish	Nature Conductive oxidation
Notes	Material shall be RoHS 6/6

Outline



Simulation curve

